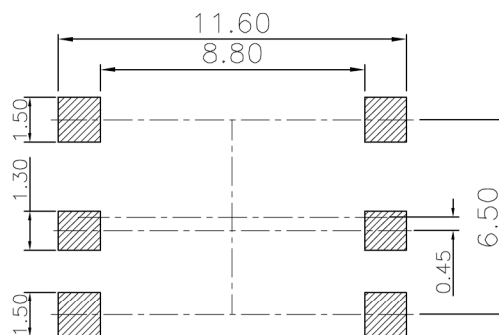
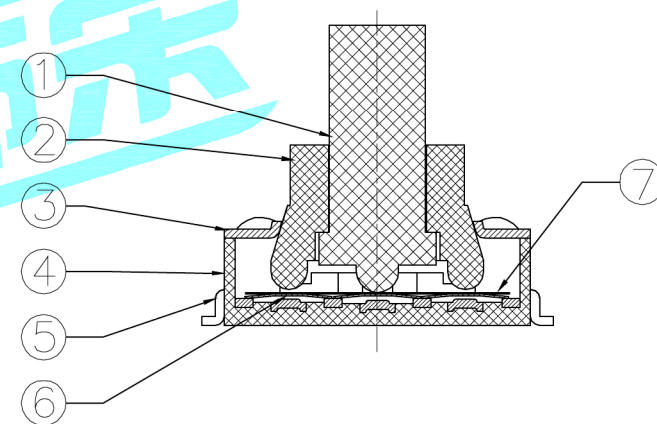
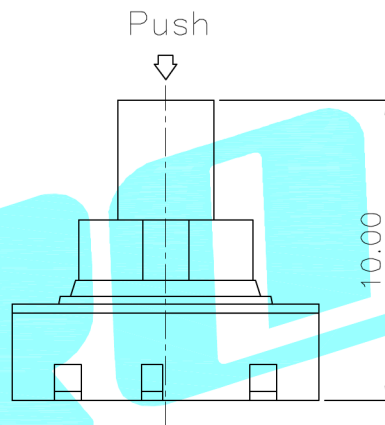
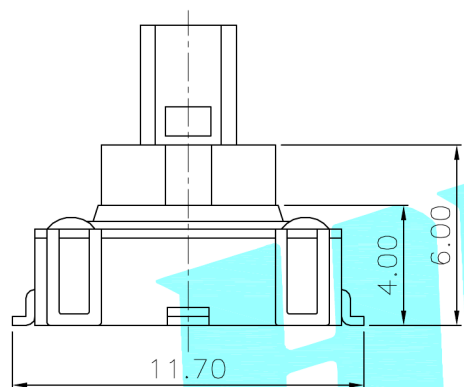


Circuit Diagram



PCB Layout(Pattern Side)

NOTE:  
 Operating Force:  
 4-direction  $160 \pm 35$  gf  
 center push  $300 \pm 35$  gf  
 Travel:4-direction  $5^\circ \pm 2^\circ$   
 center push  $0.20 \pm 0.1$ mm

⑦	Dust cover	—	1	Kapton film	Yellow	—
⑥	Contact	—	6	F.Ag/SUS	—	Circular
⑤	Terminal	—	8	Brass(0.3t)	Plating silver	—
④	Base	—	1	LCP	Black	—
③	Cover	—	1	SUS	Plating Sn	—
②	Axle sleeve	—	1	LCP	Off-white	—
①	Knob	—	1	LCP	Black	—
ITEM	PART NAME	TER'NO.	QTY.	MATERIAL	FINISHING	REMARK

APPROVALS		DATE		 ELECTRONICS CO.,LTD		
DRAWN	J.X.Zhang	2013/8/1				
CHECKED				TITLE: MULTIFUNCTIONAL SWITCHES		
APPROVALS				PART NO. K1-1506SN-01		
TOLERANCES ARE		30~以上	±0.30	ANGLE	UNIT: mm	SCALE: 1:1
		10~30	±0.20			
		5~10	±0.15	±2'	DRAWING NO.	PROJ:
		~ 5	±0.10			
				SHEET 1 OF 1		

—	A	—	NEW	—	—	—
ECN NO.	REV.	DATE.	DESCRIPTION.	CHANGE.	CHECK.	APPRO.